

# MINI EXCAVATOR

**PRELIMINARY  
SPEC SHEET**



## Specifications

Transport weight	2,850 kg
Engine power	24.9 kW (33.4 HP)
Bucket capacity	33 – 117 l
Dig depth	2.57 m / 2.77 m
Reach	4.49 m / 4.67 m

## Features

- ▶ Zero-tail version
- ▶ Wide dozer blade for dozer applications
- ▶ Cab with excellent visibility, canopy optional
- ▶ Boom adjustable by 67° to the left, 60° to the right, enables excavation directly in front of walls
- ▶ Wide range of proven work attachments

**WORKS FOR YOU.™**

# SPECIFICATIONS

## ENGINE

Manufacturer, model	Kubota, D1503-M
Type	3-cylinder diesel engine, EU Stage IIIA
Combustion	4-stroke, indirect injection (IDI)
Displacement	1,499 cm <sup>3</sup>
Power rating acc. to ISO 9249 at 2,200 rpm	24.9 kW (33.4 HP)
Consumption	4.2 l/h
Cooling system	Water

## ELECTRICAL SYSTEM

Operating voltage	12 V
Battery	12 V / 80 Ah
Generator	12 V / 40 A

## TRANSMISSION

Two-stage hydrostatic travel drive with axial piston variable displacement motor and reduction gear, fully enclosed.	
Travel speed, forward and reverse	0-2.5 / 4.6 kph
Gradeability	max. 60%
Drawbar pull	3,400 daN

## UNDERCARRIAGE

Maintenance-free crawler-type undercarriage. Idler suspension with hydraulic crawler track tensioning.	
Width (outside edge of crawler chains)	1,550 mm
Width of rubber crawlers	280 mm
Total length (sprocket - idler)	1,650 mm
Total length (undercarriage)	2,100 mm
Rollers (for each side)	4 lower + 1 upper

## DOZER BLADE

Independent of drive train, sensitive control via separate hand lever. Cylinder protection as standard.	
Width x height	1,550 x 350 mm
Dozer cut below ground	495 mm
Dozer lift above ground	345 mm
Slope angle	30°

## STEERING

Independent, individual control of crawler chains, also counterwise. Sensitive control via hand levers combined with foot pedals. Pedal console serving as foot rest.

## SWING SYSTEM

Hydrostatic drive, also acts as wear-resistant brake. Internally toothed ring gear.	
Swing speed	0-9 rpm

## BOOM OFFSET

Lateral parallel adjustment of boom arrangement at full dig depth.	
Angle of articulation / lateral adjustment left	67° / 584 mm
Angle of articulation / lateral adjustment right	60° / 727 mm

## FLUID CAPACITIES

Fuel tank	30 l
Hydraulic system (incl. 30 l tank)	54 l
Cooling system	7.5 l
Engine oil	7 l



## OPERATING DATA, STANDARD EQUIPMENT

Transport weight (with canopy)	2,700 kg
Transport weight (with cab)	2,850 kg
Operating weight (with canopy) acc. to ISO 6016	2,850 kg
Operating weight (with cab) acc. to ISO 6016	3,000 kg
Total length (travel position)	3,100 (3,100*) mm
Total length (trailer transport position)	4,080 mm
Total overall height (cab)	2,530 mm
Total height (travel position)	3,040 mm
Total width	1,550 mm
Uppercarriage tailswing	772 mm
Uppercarriage frontswing	2,050 (2,050*) mm
Working envelope 180° / 360°	2,822 / 4,100 (4,100*) mm
Ground clearance	240 mm
Reach max.	4,490 (4,670*) mm
Digging depth max.	2,570 (2,770*) mm
Bucket digging force (ISO 6015)	24,000 N
Stick digging force (ISO 6015)	19,500 N
Ground pressure, rubber crawlers (canopy / cab)	0.30 / 0.32 daN/cm <sup>2</sup>

## HYDRAULIC SYSTEM

Pump capacity	2 x 35 + 33 lpm
Working pressure	230 bar
Working hydraulics: Tandem-controlled dual piston variable displacement pump for all work movements and travel drive. One gear pilot pump. Simultaneous independent control of all movements.	
Control circuit for work attachments (single or dual-action):	
Pump capacity	68 lpm
Max. working pressure	230 bar

## CAB

Full-vision steel cab, FOPS (acc. to ISO 3449) and TOPS (acc. to ISO 12117 / EN 13531) certified. Heating, ventilation and seat belt.

Radio preparation

Instrument panel on the right hand side of the operator's seat with visual & acoustic warning device, hour-meter, instrument cluster with large fuel gauge.

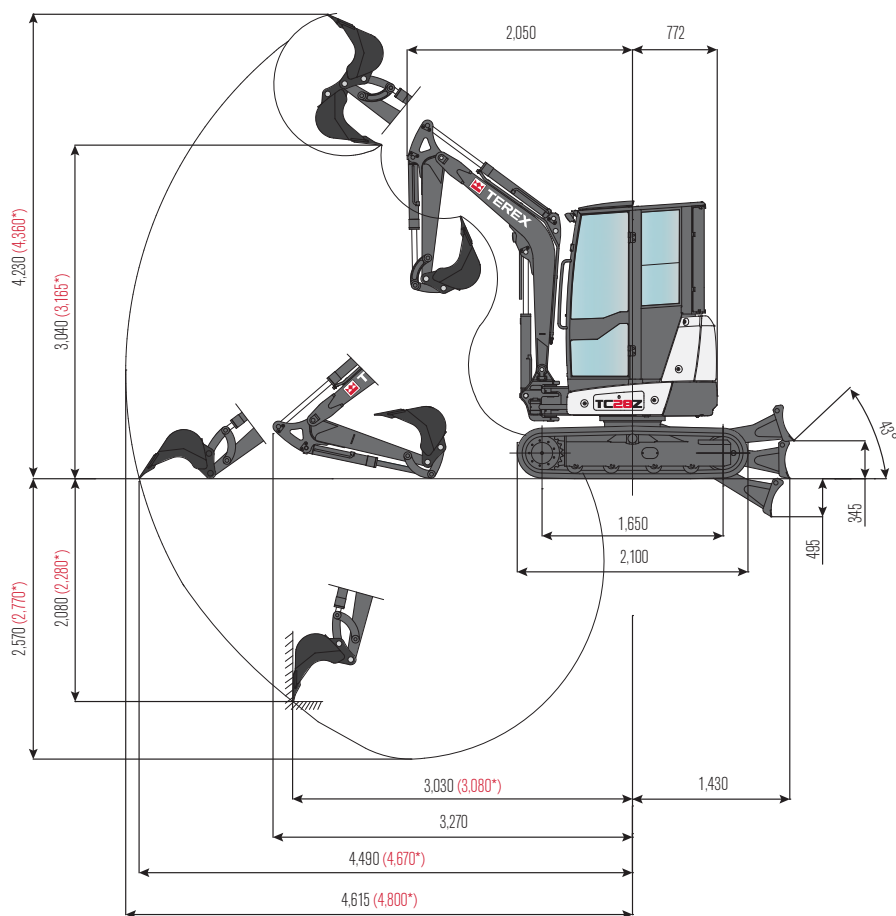
Working floodlights mounted on the boom.

Noise emission ambience L <sub>WA</sub>	95 dB (A)
Noise emission cab L <sub>PA</sub>	79 dB (A)

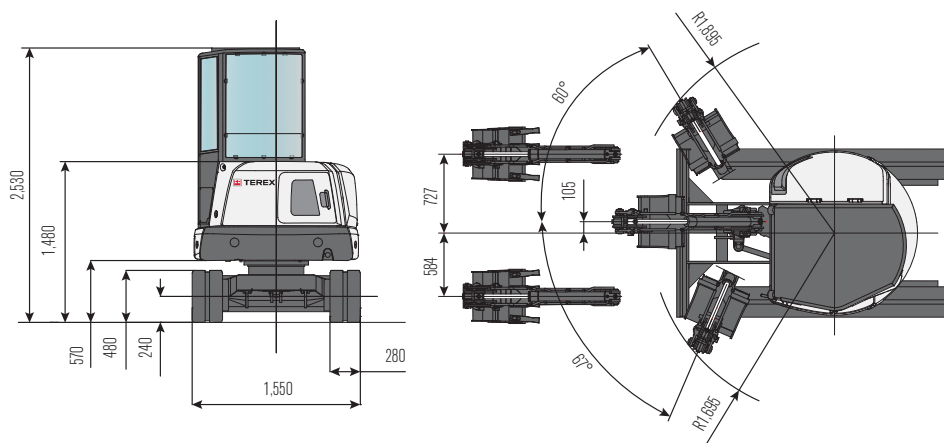
Measured in dynamic measuring cycle acc. to EC Directive 2000/14/EC.

\*with 1,310 mm dipperstick (optional)

## WORKING RANGES & DIMENSIONS: MONOBLOC BOOM



Standard dipperstick 1,110 mm  
 \* with extended 1,310 mm dipperstick



## LIFTING CAPACITIES

Bucket hinge height		Load radius from centre of ring gear			
		2.5 m	3.0 m	3.5 m	MAX
Dipperstick 1,110 mm					
1.0 m		1,002	818	690	600
		775	574	445	375
		623	471	377	320

All values in kilograms (kg) were determined acc. to ISO 10567 and include a stability factor of 1.33 or 87% of the hydraulic lifting capacity. All values were determined without the bucket. In case of mounted-on work attachments, the deadweights of the work attachments must be deducted from the permissible payloads.

Working equipment: Rubber crawlers.

## WORK ATTACHMENTS

### BUCKETS

Bucket 300 mm	Capacity 33 l, weight 48 kg
Bucket 400 mm	Capacity 48 l, weight 63 kg
Bucket 500 mm	Capacity 65 l, weight 81 kg
Bucket 600 mm	Capacity 82 l, weight 98 kg
Bucket 700 mm	Capacity 100 l, weight 118 kg
Bucket 800 mm	Capacity 117 l, weight 135 kg
Ditch cleaning bucket 1,000 mm	Capacity 125 l, weight 83 kg
Ditch cleaning bucket 1,200 mm	Capacity 154 l, weight 97 kg
Directional ditch cleaning bucket 1,000 mm	Capacity 125 l, weight 132 kg
Directional ditch cleaning bucket 1,200 mm	Capacity 154 l, weight 146 kg
60° Trapezoidal bucket	Capacity 63 l, weight 50 kg

### OTHER WORK ATTACHMENTS

Hydraulic hammer	Quick-change adapter for hydraulic hammer
Auger	
Further work attachments available on request	

## OPTIONAL EQUIPMENT

### BOOM OPTIONS

Monobloc boom, with extended 1,310 mm dipperstick

### CRAWLER CHAIN OPTIONS

Steel crawler track, 300 mm wide

### HYDRAULIC SYSTEM

Hose-rupture / load-retaining valve for boom      Hose-rupture / load-retaining valve for dipperstick

### OPERATOR'S CANOPY

Canopy, robust steel pipe construction with 4 vertical support members and steel plate protection roof. FOPS (acc. to ISO 3449) and TOPS (acc. to ISO 12117 / EN 13531) certified. Operator's seat with artificial leather covering, seat belt.

Cab-mounted working floodlights

Yellow beacon

### OTHER OPTIONAL EQUIPMENT

Mechanical quick-attach system (QAS)      Additional rear weight 170 kg

Further optional equipment available on request

## [www.terex.com/construction](http://www.terex.com/construction)

Effective date: March, 2015. Product specifications and prices are subject to change without notice or obligation. The photographs and/or drawings in this document are for illustrative purposes only. Refer to the appropriate Operator's Manual for instructions on the proper use of this equipment. Failure to follow the appropriate Operator's Manual when using our equipment or to otherwise act irresponsibly may result in serious injury or death. The only warranty applicable to our equipment is the standard written warranty applicable to the particular product. Terex makes no other warranty, express or implied. Products and services listed may be trademarks, service marks or trade-names of Terex Corporation and/or its subsidiaries in the USA and other countries. All rights are reserved. "Terex" is a registered trademark of Terex Corporation in the USA and many other countries. Copyright ©2015 Terex Corporation. (R2\_160915) Ref.No.: TEREX843EN

Terex Compact Germany GmbH  
Kraftwerkstr. 4  
D-74564 Crailsheim  
Tel: +49 (0)7951 / 9357-0      Fax: +49 (0)7951 / 9357-671  
construction@terex.com      www.terex.com



**WORKS FOR YOU.™**